

JOB NAME: \_\_\_\_\_

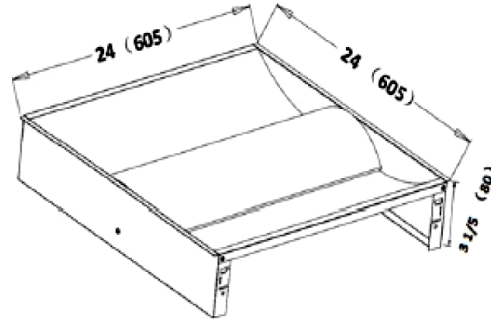
DATE: \_\_\_\_\_

TYPE: \_\_\_\_\_



**DIMENSIONS:**

24"(L) x 24"(W) x 3-1/8"(H)



- LTR-2X2-40W-50K-D
- LTR-2X2-40W-40K-D
- LTR-2X2-40W-35K-D

**LED DIRECT-INDIRECT TROFFER LIGHTS**

Ideal for hotel, offices, retail outlets, restaurant, parking garages, storage room, conference room, education facilities and more.

**ELECTRICAL SPECIFICATIONS:**

- Voltage: 100-277VAC 50/60Hz
- Wattage: 40W
- Power factor: >0.97
- Efficacy: 107~110LM/W

**HOUSING SPECIFICATIONS:**

- Steel Thickness: 24 Gauge
- Exclusive design lens installs from opening on ends to prevent leakage of light
- Modern mate white finish
- Earthquake hooks built into housing
- Operating temperature: -20°F ~ 105°F
- Lifespan: 50,000 hrs.
- IP rating: IP20

**CERTIFICATIONS: UL, DLC**



**FACTORY-INSTALLED OPTIONS:**



OPT-LTR-2X2-SRFC



OPT-LTR-2X2-PERF

MODEL	DESCRIPTION
OPT-LTR-2X2-SRFC	Surface Mounting Kit
OPT-LTR-2X2-PERF	Perforated Basket

**LIGHTING SPECIFICATIONS:**

- Dimming: 0~10V dimmable
- Lens: Polycarbonate
- Total lumens: 4281~4417LM
- Color temperature: 5000K/4000K/3500K
- Color rendering index: >80

**WARRANTY: 5 years**

